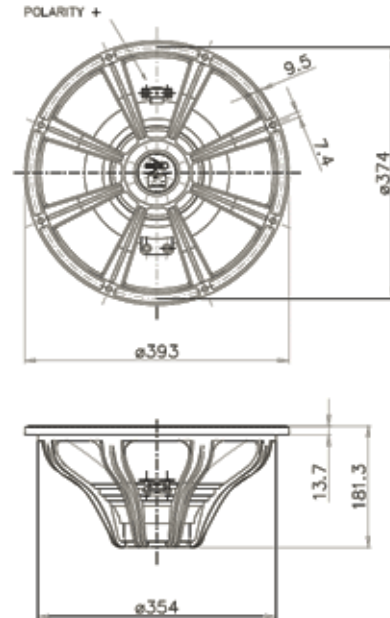




15FH520 Five Hundred Series



NOMINAL SPECIFICATIONS

Nominal Diameter	380 mm (15 in)
Overall Diameter	393 mm (15.47 in)
Bolt Circle Diameter	374 mm (14.72 in)
Baffle Cutout Diameter	354 mm (13.94 in)
Depth	181.3 mm (7.14 in)
Flange and Gasket Thickness	13.7 mm (0.54 in)
Shipping Box (Single Carton Box)	426x429x225 mm (16.8x16.9x8.9 in)
Net Weight	4.6 Kg (10.1 lb)
Shipping Weight	5.2 Kg (11.5 lb)

ELECTRICAL SPECIFICATION

Voice Coil Diameter	77 mm (3 in)
Sensitivity (1W/1m)	98 dB
Former Material	Glass Fiber
Winding Depth	22 mm (0.87 in)
Minimum Impedance	6.9 Ohm
Nominal Impedance	8 Ohm
Nominal Power Handling *	600 W
Maximum Power Handling **	1200 W
Frequency Range	40÷4000 Hz
Winding Material	Al
Magnetic Gap Depth	12 mm (0.47 in)
Flux Density	1.1 T

THIELE & SMALL PARAMETERS

Qms	10.10
Fs	38 Hz
Re	5.6 Ohm
Bl	18.4 N/A
Mms	105 g
Cms	0.16 mm/N
Rms	2.5 Kg/s
Qes	0.41
Qts	0.40
Vas	174.8 dm ³ (6.17 ft ³)
Sd	859 cm ² (133.1 in ²)
Xmax ***	9 mm
Xdamage ****	16 mm
Le	0.89 mH
Mmd	92 g
Eta Zero	2.25 %

ORDERING CODES

Push Terminals - 8 Ohm Version	TBA
Faston Terminals - 8 Ohm Version	TBA

NOTES

PATENT PENDING

[A] demodulation ring for reduced total harmonic distortion

(*) 2 Hours Test According to AES 2-1984 Rev. 2003

(**) Maximum power is defined as 3dB greater than nominal power.

(***) Xmax = [(winding depth - magnetic gap depth) / 2] + (magnetic gap depth / 3)

(****) Maximum excursion before permanent damage

CURVES

